

Product leaflet

Product
Compressed air attachment

Model No.
SR 507

Ordering No.
H03-0612

Product Description

The SR 507 compressed air attachment is designed for connection to Sundström hoods SR 520/ SR 530/ SR 561/ SR 562, face shields SR 540 EX/ SR 570, half mask SR 900, helmet with visor SR 580 and welding shield/helmet with visor SR 584/ SR 580. This combination forms a breathing apparatus designed for continuous air flow, for connection to a compressed air supply. The SR 507 is an accessory that enables a given face piece to be used as either a protective device supplied with compressed air or a powered air purifying respirator (PAPR). The compressed air attachment is especially intended for applications involving heavy and sustained work in environments in which the pollutants have poor warning properties or are particularly toxic.

The SR 507 is made of materials which are not liable to give rise to friction sparking, which enables the attachment to be used in an explosive or flammable environment.

The flow meter and warning whistle for temporary and continuous monitoring of the air flow rate are included.

Control valve mounted on the user's belt is included.

Technical specification

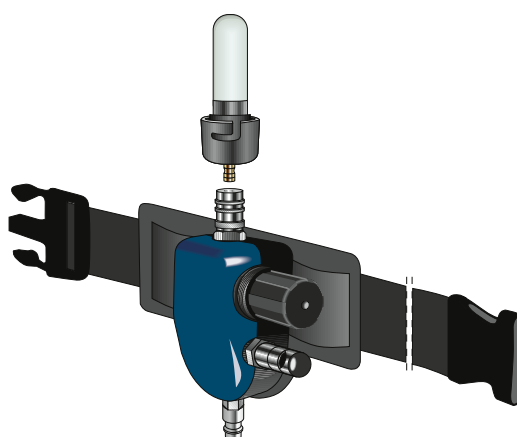
	SR 507	EN 14594:2005
Working pressure	5–7 bar	≤ 10 bar
Airflow rate	175–260 l/min	175–260 l/min
Low flow warning level	< 150 l/min	≤ 150 l/min
Service temperature	-10 – +55 °C, < 90 % RH	-
Storage temperature	-20 – +40 °C, < 90 % RH	-
Weight without control valve	≈ 60 g	-
Weight with control valve and belt	≈ 560 g	-
Assigned Protection Factor¹	40 (3A,3B)	-
Nominal Protection Factor²	200 (3A,3B)	-

Approval

EN 14594:2005, 3A 3B

1) Specified in BS EN 529 and applies generally regardless of the test results.

2) According to EN 529:2005.



Sundström Safety AB

Tel: +46 10 484 87 00
Västergatan 4
SE-341 50 Lagan

Sundström 
www.srsafety.com

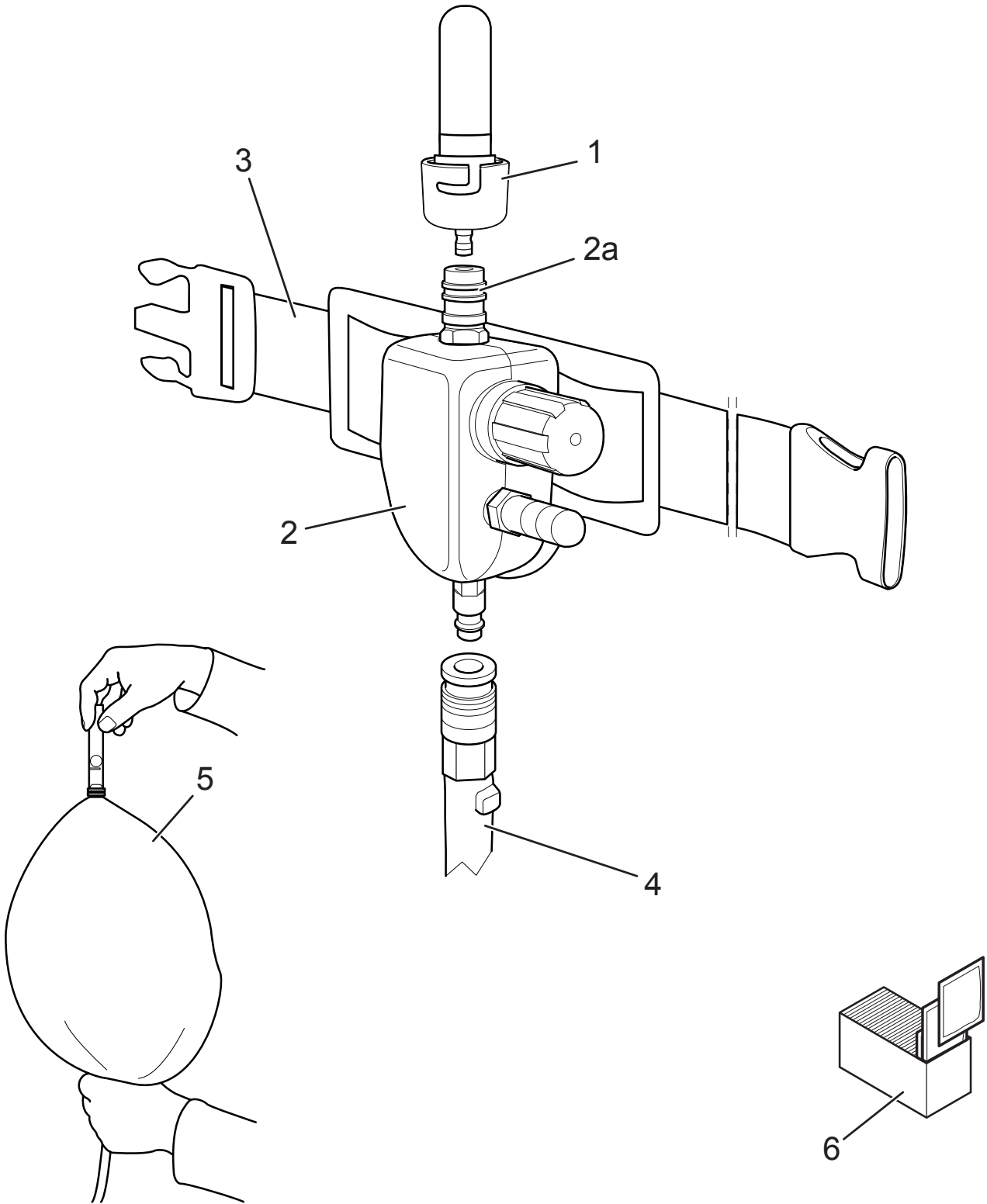


- A. SR 520
- B. SR 530
- C. SR 540 EX
- D. SR 570
- E. SR 561
- F. SR 562
- G. SR 580
- H. SR 584/SR 580
- I. SR 900
- J. Breathing hose SR 951
- K. Breathing hose
- L. SR 507
- M. Regulator
- N. Compressed air hose

SR 507

EN

Spare parts / Accessories



No.	Description	Ordering No.
1.	Connection adapter	R03-0602
2.	SR 348 Control valve	R03-0601
2a.	Safety coupling female 1/4"	R03-0352
3.	Belt	R03-1510
	Belt PVC	T01-3008
4.	SR 358 Plastic hose 5/10/15/20/25/30 m	H03-30XX
	SR 359 Rubber hose 5/10/15/20/25/30 m	H03-31XX
	SR 360 Spiral hose 2/4/6/8 m	H03-34XX
5.	Flow meter	R03-0346
6.	SR 5226 Cleaning wipe, box of 50	H09-0401