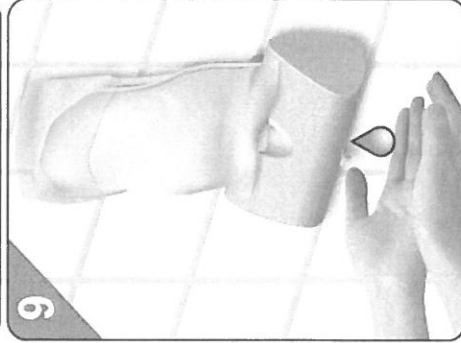
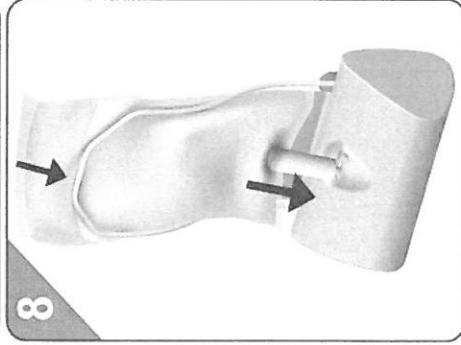
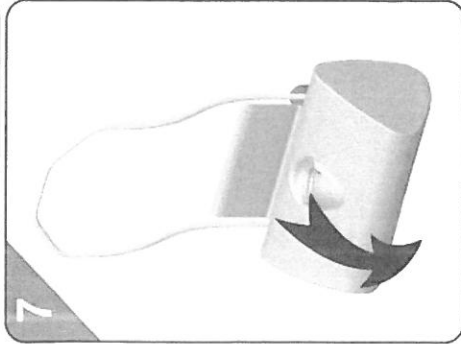
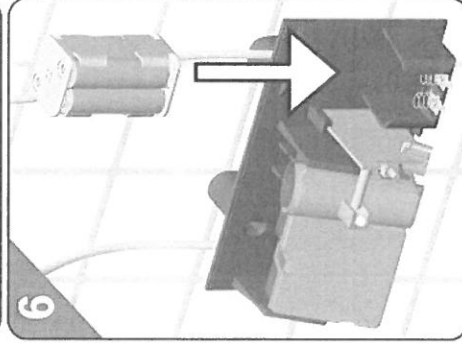
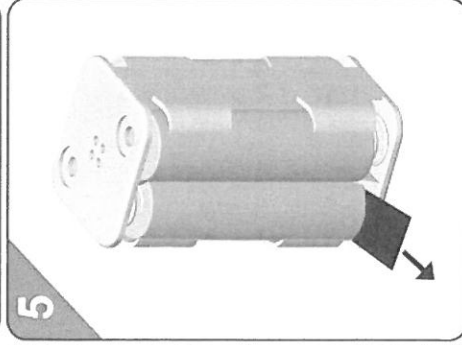
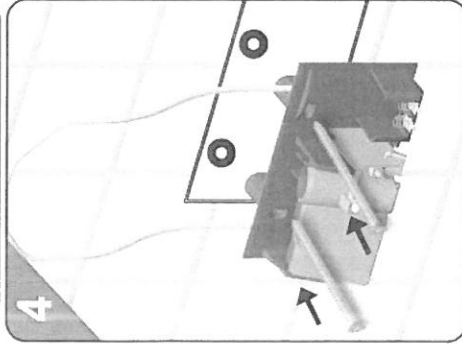
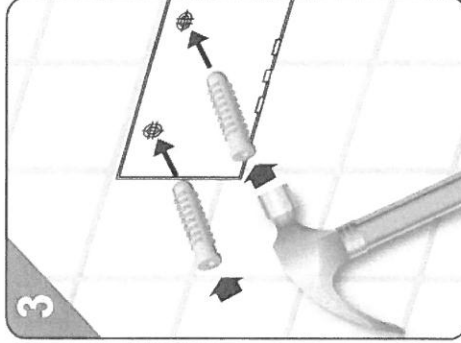
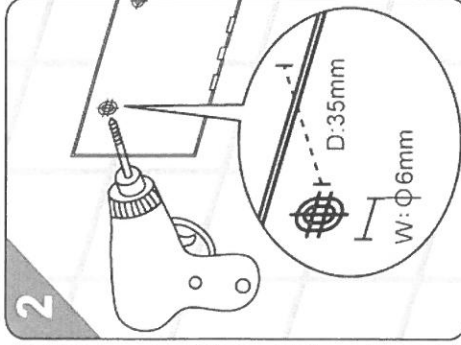
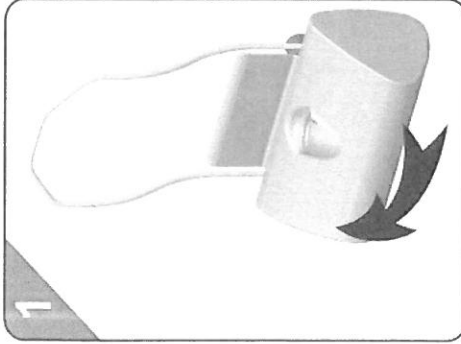
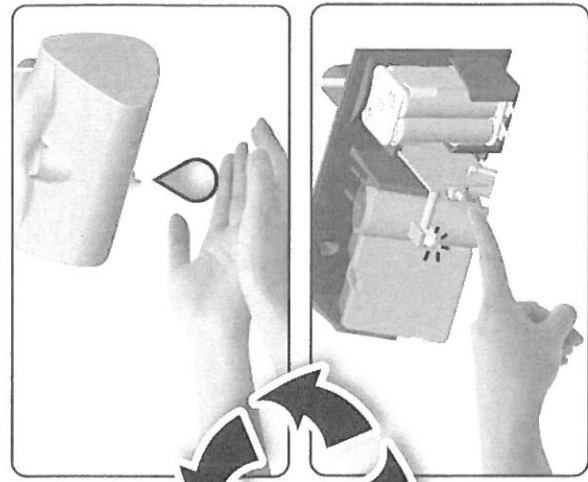
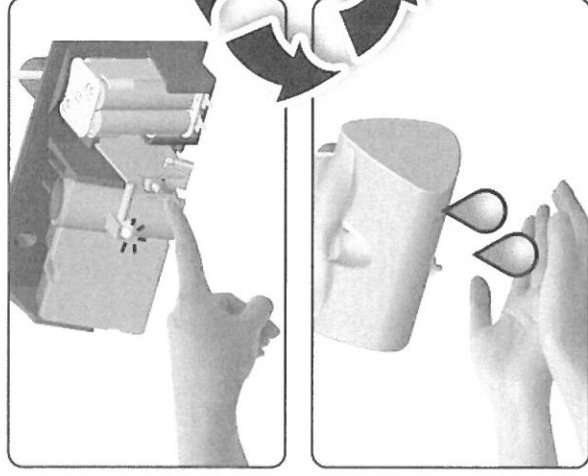


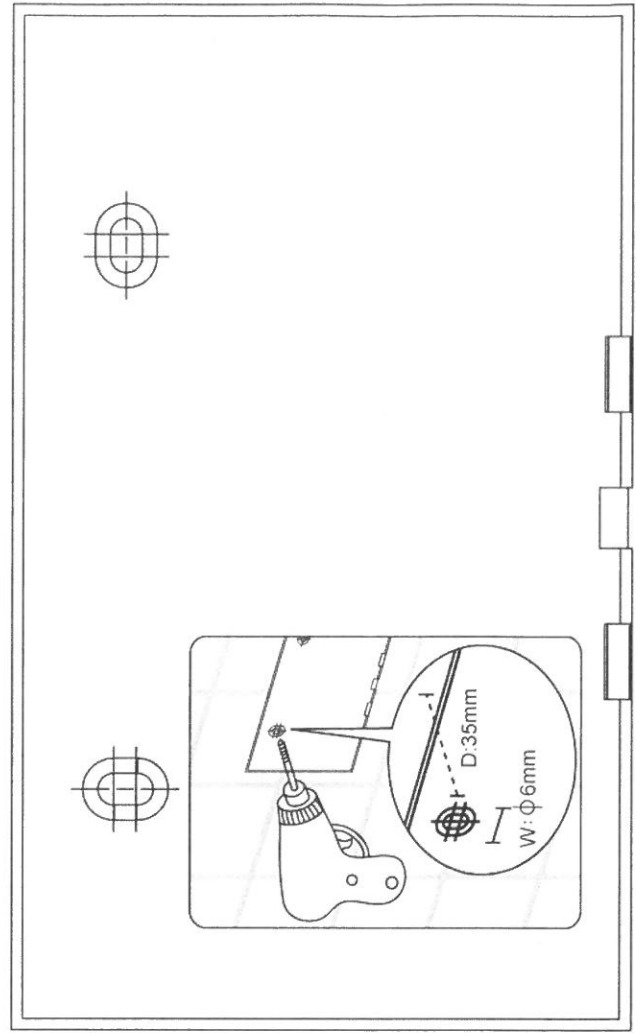
# Steps



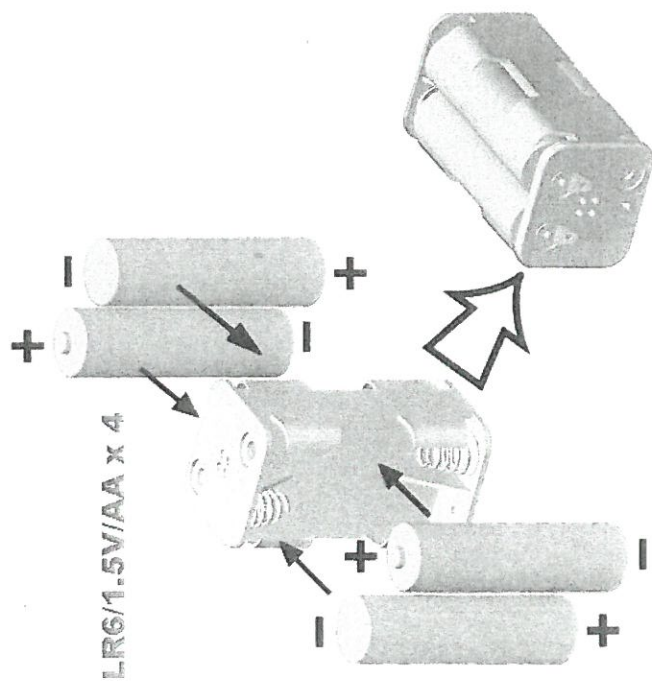
# Drop Cycles Setting Procedure



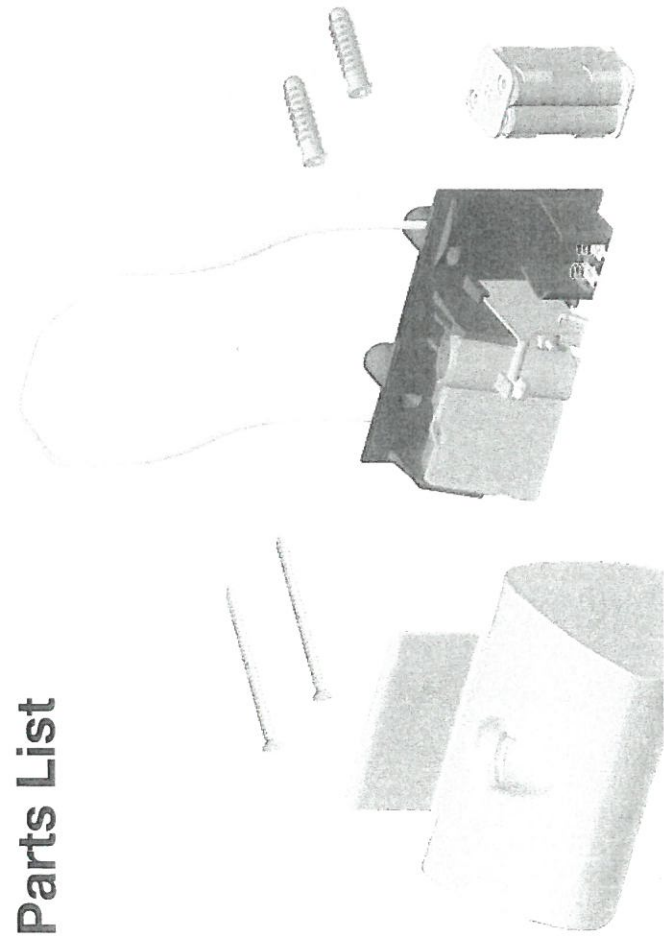
# Drill Guide



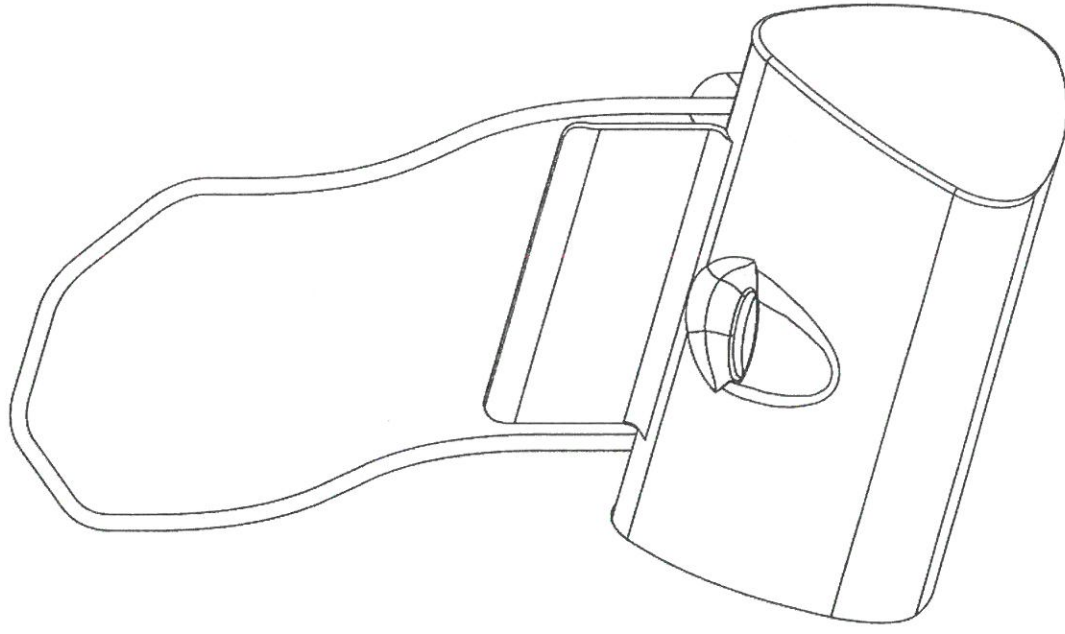
## Replacement of batteries



## Parts List



# Touchless Soap Dispenser User Manual



4302 / 4308